

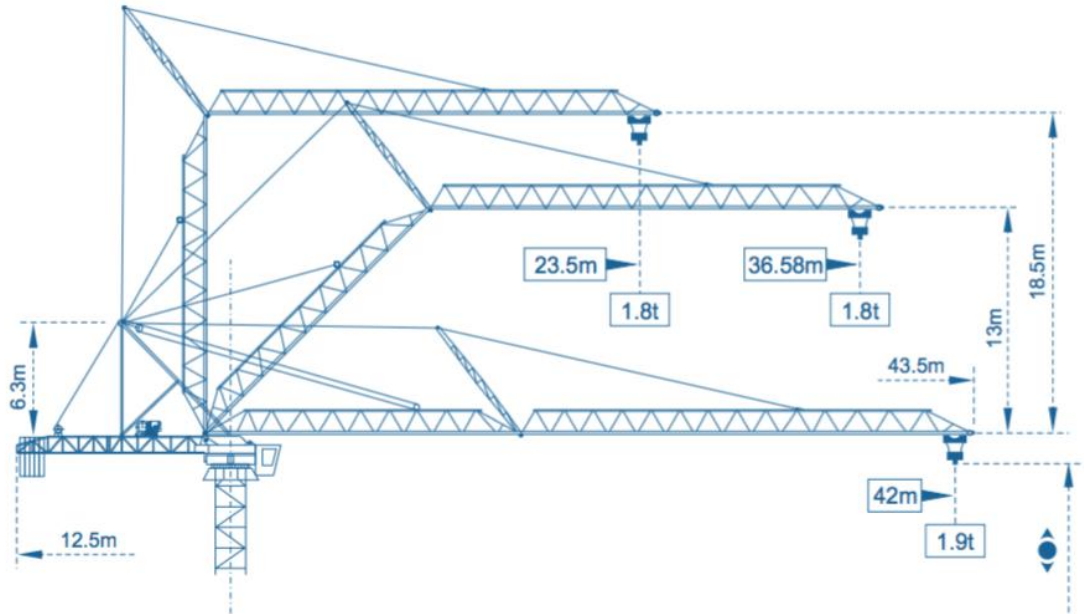


SSP 4219-8

Experts in the field.

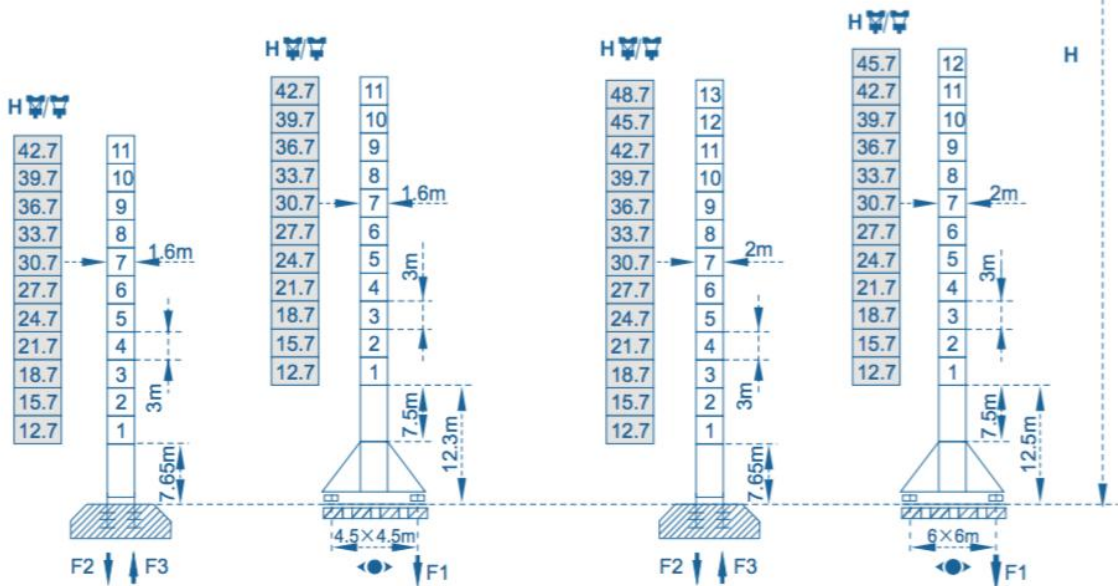


Outline Dimensions



Mast \square 1.6m \times 1.6m

\square 2m \times 2m



 in service
  out of service
 Without load and ballast with longest jib and maximum height

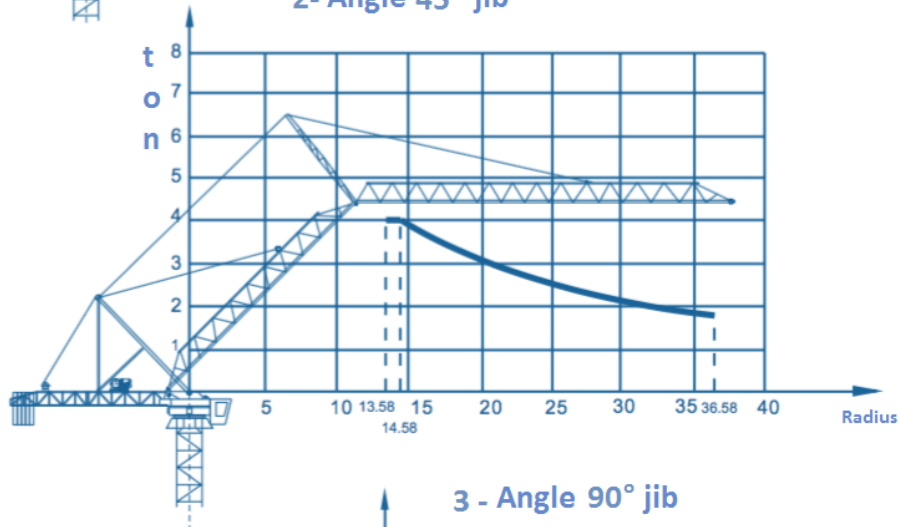
F = Reactions

Hoisting Characteristic Curve

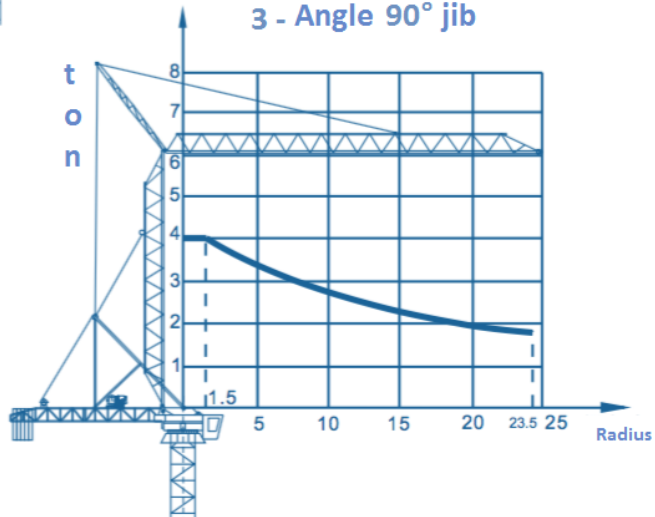
1- Horizontal jib











2- Angle 45° jib



3 - Angle 90° jib



Specifications Mechanisms						
Mechanisms	Motor type	Speeds m/min		Capacity t.	Rope lenght	Motor kW
Hoisting	40RPC20B 	2 fall	0-37.5	4	460m >460m★	30
			0-75	2		
		4 fall	0-18.75	8		
			0-37.5	4		
	40LVF20 	2 fall	0-37.5	4	460m >460m★	30
			0-75	2		
		4 fall	0-18.75	8		
			0-37.5	4		
	45RCS20 	2 fall	0-40	4	478m >478m★	37
			0-80	2		
		4 fall	0-20	8		
			0-40	4		
50LVF20 	2 fall	0-41	4	460m >460m★	33	
		0-82	2			
	4 fall	0-20.5	8			
		0-41	4			
Luffing	24BWZ25	≤4min (0° ~90°)			17	
Trolleying	XD96 	15-38-58			95N.m	
Slewing	OMD45 	0-0.7r/min			2 x 4.4	
	RCV120A 	0-0.7r/min			120N.m	
Travelling	RT433 	0-12.5-25			2 x 2.6/5.2	

This commercial documents is not legally bindig.
For any technical information, please refer to
the corresponding instructions.

